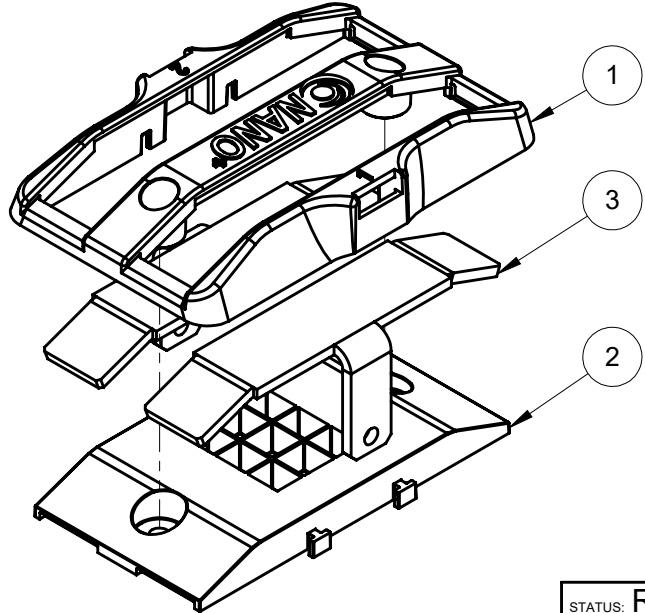
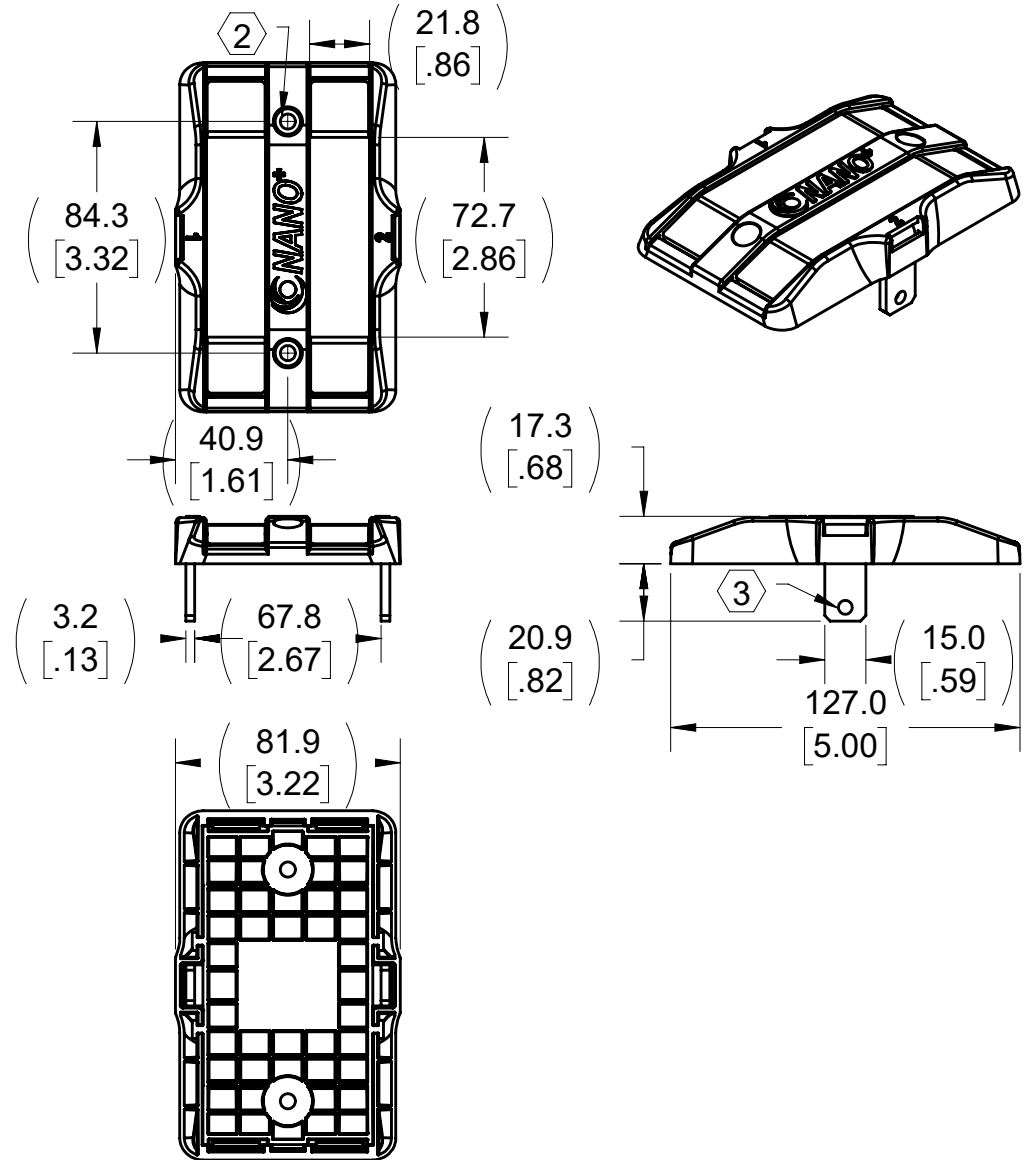


NOTES:

1. NO FASTENER ASSEMBLY, ALIGN AND SNAP TOGETHER.

2. USE M5 SOCKET HEAD CAP SCREW FOR MOUNTING.

3. TORQUE POWER TERMINAL M6X1.00 FASTENER TO 5.7 N-m (50 IN-LBS)(AT INSTALLATION).



3	XA-600234	PLATE POWERFEED BOTTOM 75A NANO+	2	PC
2	XA-600285	BODY CORE BASE 75A NANO+	1	PC
1	XA-600201	BASE SHELL OUTER NANO+	1	PC
ITEM	MATERIAL NO. 2	DESCRIPTION	QTY.	UNIT

STATUS: RELEASED		DESCRIPTION: BASE ASSEMBLY 75A BOTTOM NANO+		
ER NO:	ECO-45654	UNLESS OTHERWISE SPECIFIED INTERPRET GEOMETRIC TOLERANCING PER: ASME Y14.5		
ER DATE:	07/26/2022	PRIMARY UNITS ARE IN MM KG SECONDS SECONDARY UNITS IN INCHES LB SECONDS TOLERANCES ARE AS FOLLOWS		
ER ENGR:	J SMITH	DECIMAL: X. ± 2.5 MM (0.1 IN) XX. ± 0.8 MM (0.03 IN) XXX. ± 0.25 MM (0.010)		
ER APPR:	D SAMPSON	ANG. ± 1°		
DRAWN:	J SMITH	THREAD CLASS: 6G EXTERNAL / 6H INTERNAL ALL DIMENSIONS GREATER THAN 50MM HAVE A TOLERANCE OF ± 2MM UNLESS OTHERWISE SPECIFIED		
APPR:	D SAMPSON	MATERIAL NO. 2: XA-CCB075A2BW0		
	07/26/2022	SIZE A	SCALE: 4:11	WEIGHT(REF): 0.24 KG MAT'L:
				REVISION: 0

PROPRIETARY AND CONFIDENTIAL

This drawing and the information shown constitute trade secret and confidential property of Conductix, Inc. It is subject to recall, and is loaned for use only in connection with the authorized manufacture or installation of Conductix, Inc. products, and on the condition that it will be treated as confidential and will not be disclosed, published or reproduced in whole or in part, or permitted to be viewed or used by any other party, without specific written permission. Receipt and use of the drawing and information constitutes acceptance and agreement to the above.

10102 F Street
Omaha, NE 68127
800-521-4888

CONDUCTIX
wampier
DELMAC GROUP

SIZE **A** SCALE: **4:11** WEIGHT(REF): 0.24 KG
MAT'L:

SHEET 1 OF 1